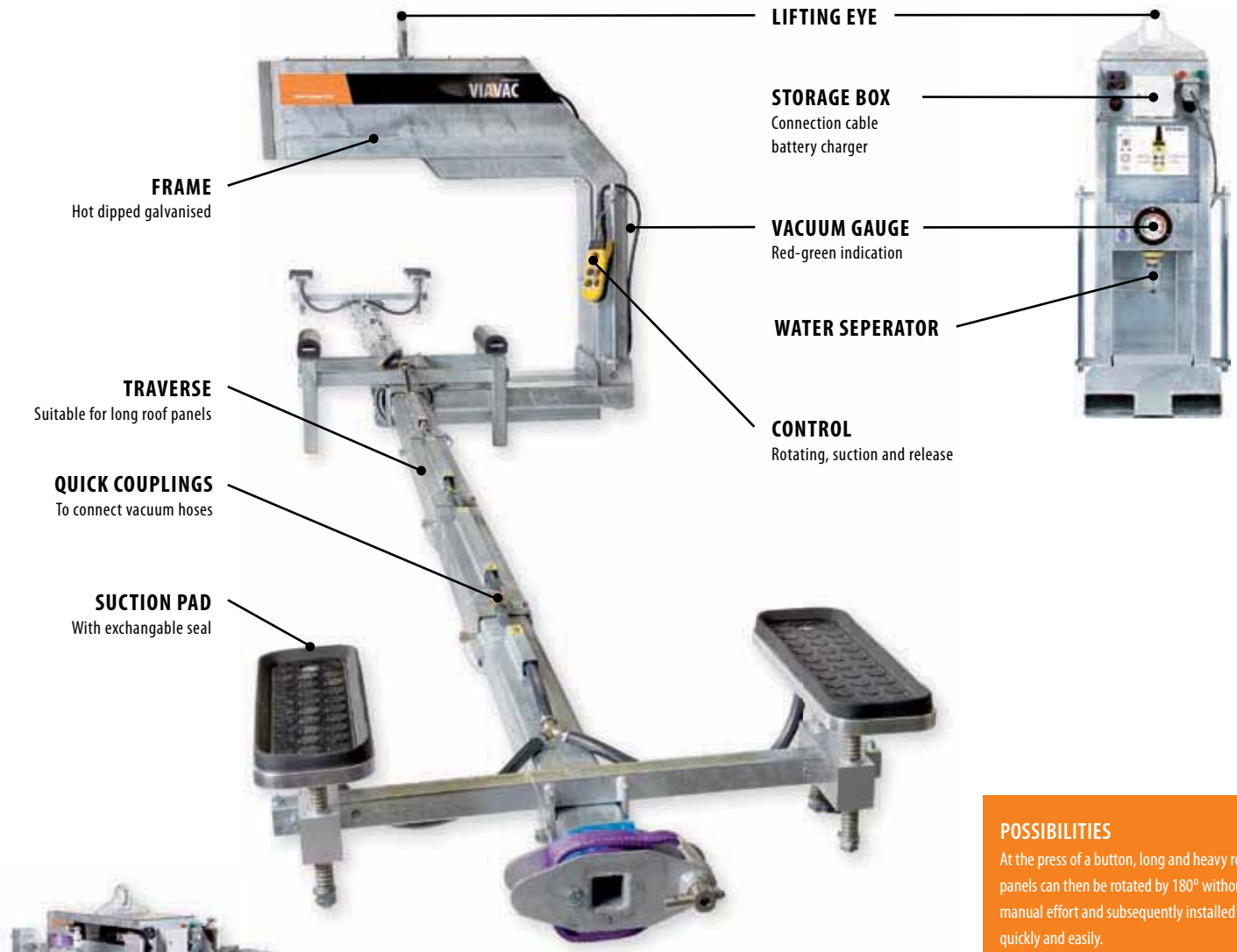


ROTA BOY

VACUUM LIFTING AND TURNING DEVICE FOR ROOF PANELS



ROTA BOY



MODULAR EXECUTION POWERED BY INTERNAL, RE-CHARGEABLE BATTERY

COMPACT AND TRANSPORTABLE

POSSIBILITIES

At the press of a button, long and heavy roof panels can then be rotated by 180° without manual effort and subsequently installed quickly and easily.

SAFETY FEATURES

- Audible low vacuum warning
- Large vacuum buffer tank
- Low battery warning
- Secondary safety device

SPECIFICATION

- Lift and turn capacity 350 kg
- Machine weight 500 kg



4 Cladding Services
Gateway to Humberside Trading Estate,
Gilberdyke, Brough.
HU15 2TD

T : +44 (0)370 741 7600
F : +44 (0)370 741 7601
E : info@vaclifting.co.uk

4Cladding
Services