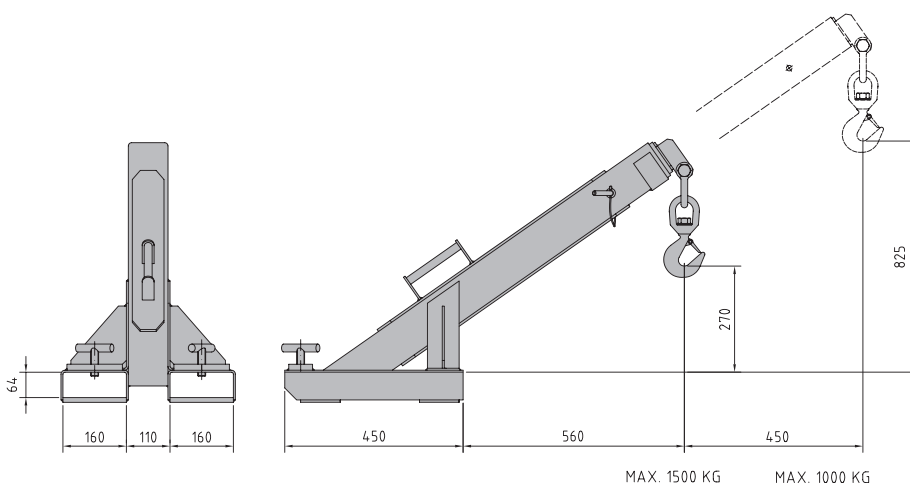
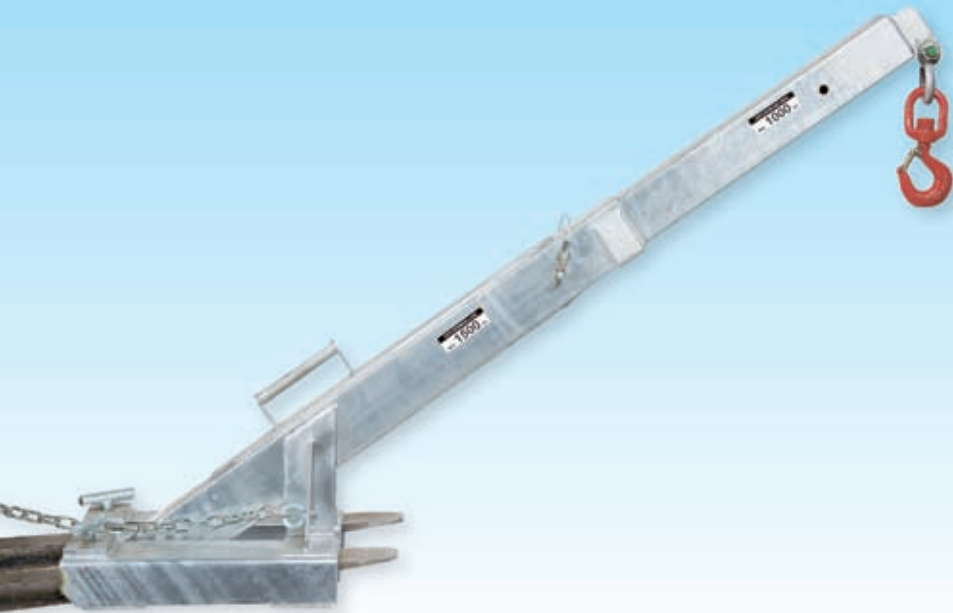


CRANE ARM

FORKLIFT TELESCOPIC CRANE ARM



SPECIFICATION

- Lifting capacity of 1500 kg retracted and 1000 kg fully extended
- Compact and easy to transport, weighing only 55 kg
- Telescopic extension with secure locking pin
- Clamps securely to forklift tines, with additional securing chain
- Fully galvanised
- CE certification