

VIAVAC GBX2-800

The allrounder











**VACUUM GLASS LIFTER
UP TO 800 KG**

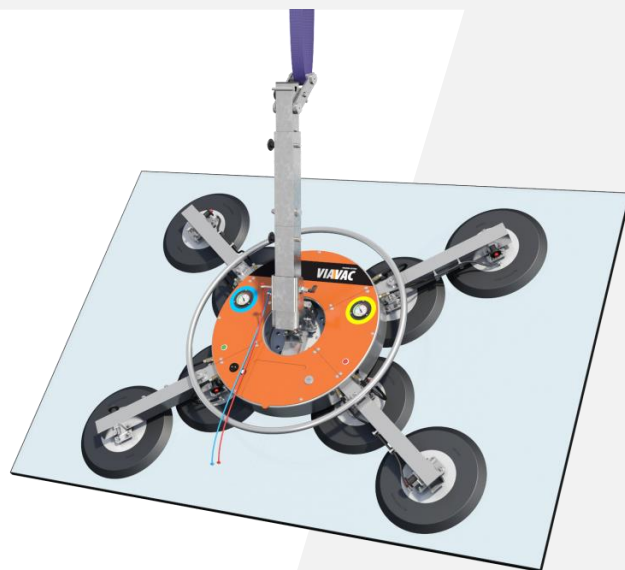
VACUUM LIFTING
VIAVAC

In short

Versatile and powerful

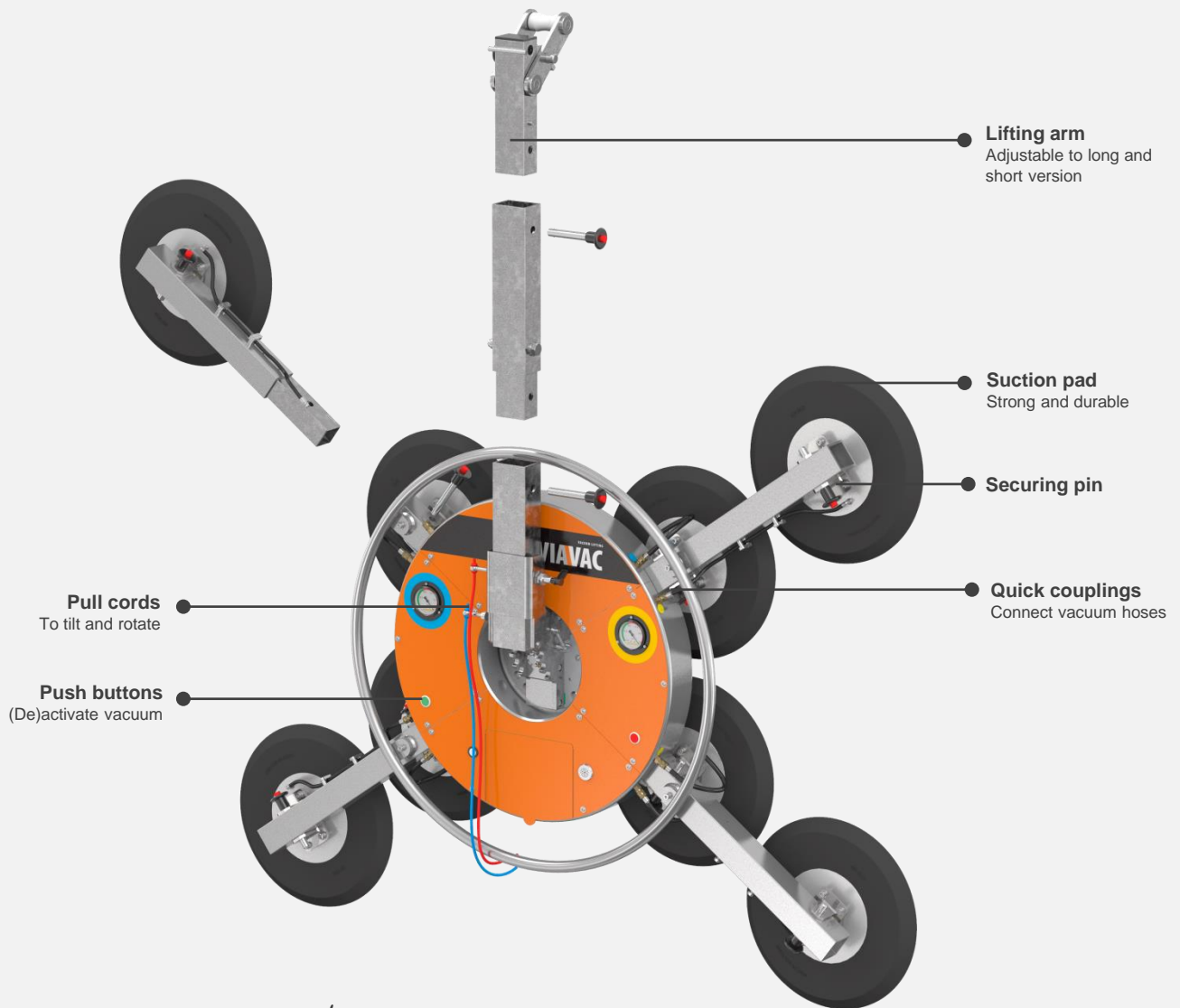
The VIAVAC GBX2-800 is a multifunctional vacuum lifting device for placing glass elements. The lifting device can easily be assembled in 7 different configurations. Thanks to its compact design and its low weight, the VIAVAC GBX2 is ideal for use in combination with a minicrane or truck-mounted crane.

-  **Compact and low in weight**
-  **Suitable for large glass elements**
-  **Suitable for installing from the inside**
-  **Tool-free (dis)assembly of the extensions**
-  **Dual vacuum system**
-  **360° rotating and 90° tilting**
-  **Solid transport box**
-  **Battery with long operating time**

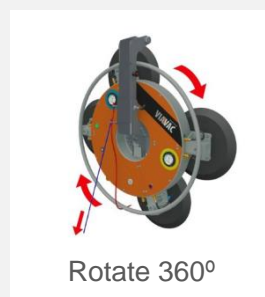


VIAVAC GBX2-800

Functionalities



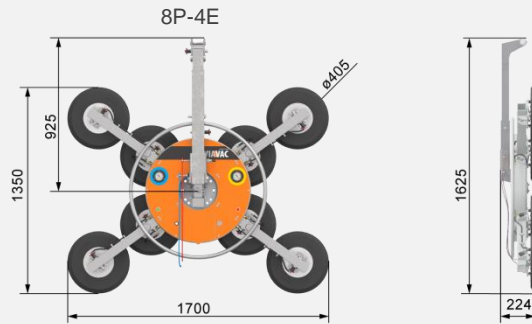
Click to watch the promo-video



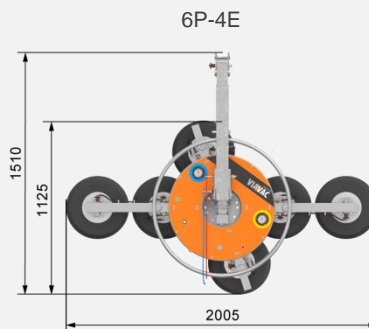
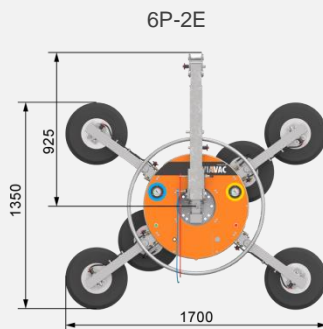
Configurations

Flexibility with one device

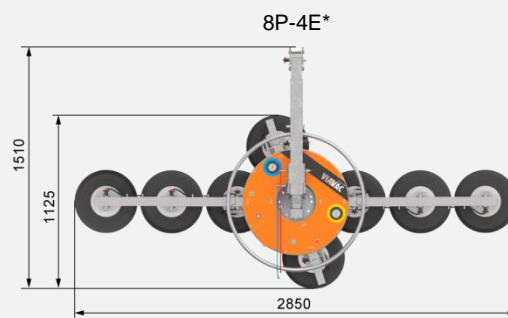
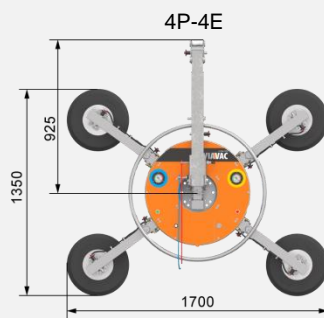
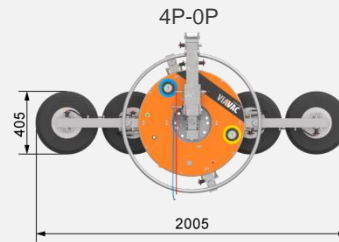
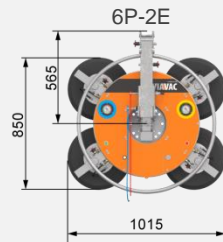
800 kg



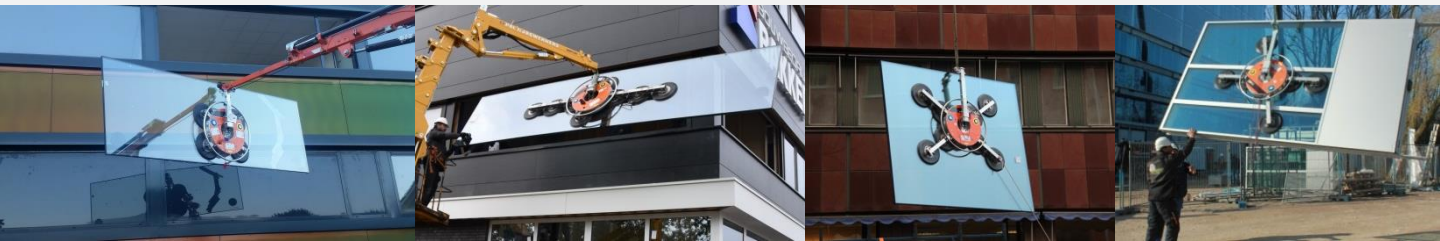
600 kg



400 kg



*additional parts required



Options and accessories



Sturdy plastic transport box

Robust, closable transport box for safely transporting and storing the lifting device.



Radio remote control

(De)activates vacuum at a distance of up to 50 metres. Equipped with safety code for discharging.



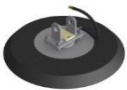
Spacer for suction pad

To be used when mounting glass elements with an upstanding frame.



Extra short lifting arm

Reduces lifting height. Beneficial in case of limited mounting height.



Suction pads

Available in 350 mm en 400 mm (standard).

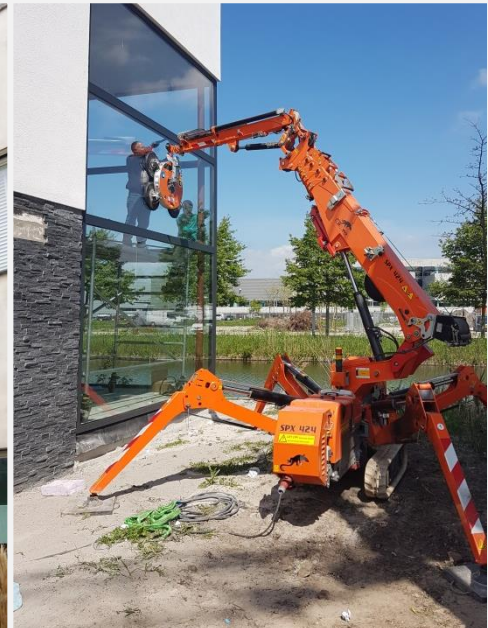


Protection cover

Solid protection cover with elastic for suction pad.



References



▶ [PROJECT VIDEO](#)

VIAVAC GBX2-800

Technical specifications

Functions

- 90° tiltable with locking facility in 5 positions
- 360° endlessly rotatable with locking facility in 12 positions
- Pull cords for tilting and rotating

For your safety

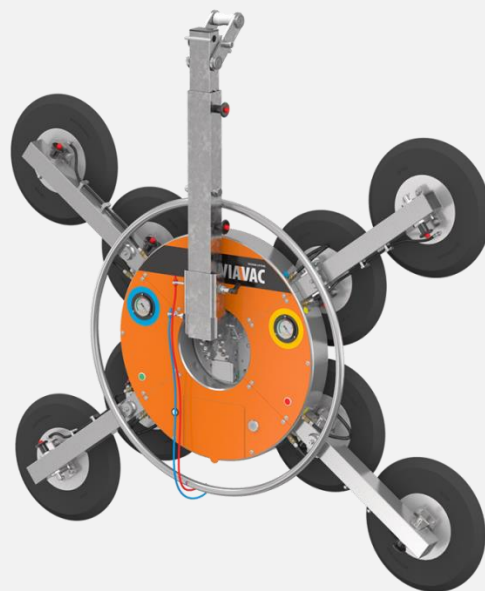
- Two independent vacuum circuits each with 2-fold safety margin
- Integrated vacuum gauges with red / green indication
- Audible and visible warning by low vacuum level
- Timely warning when battery is running low
- Vacuum buffer tanks with non-return valves

Technical details

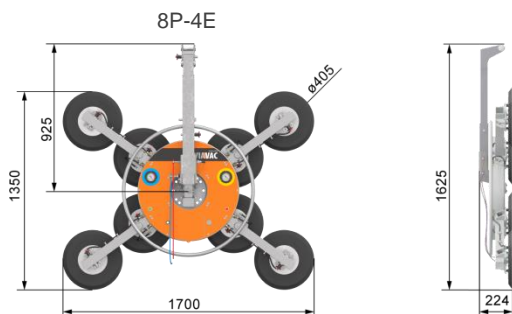
Vacuum system:	Dual circuit
Battery:	12 V / 10 Ah
	Operating time approx. 60 elements
	Charging time approx. 6 hours

Configuration	4P-0E	6P-2E	8P-4E
Lifting capacity:	400 kg	600 kg	800 kg
Machine weight:	65 kg	75 kg	85 kg

Complies with European standard EN 13155.



Optional
Radio remote control



VIAVAC Counter Balancer

Counterweight

Brings up to 1,000 kg max. 1 m inside the façade line
For mounting glass elements under a balcony or overhang.

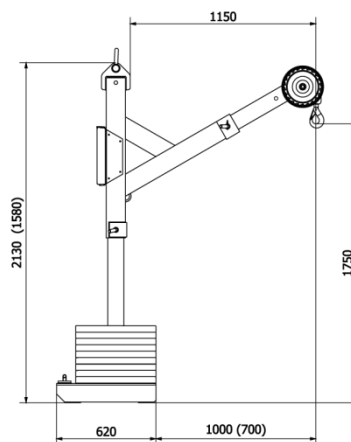
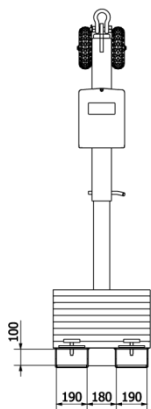
Features

- Retractable for compact transportation
- With rubber protection wheels
- 8 stackable counterweights of 90 kg each

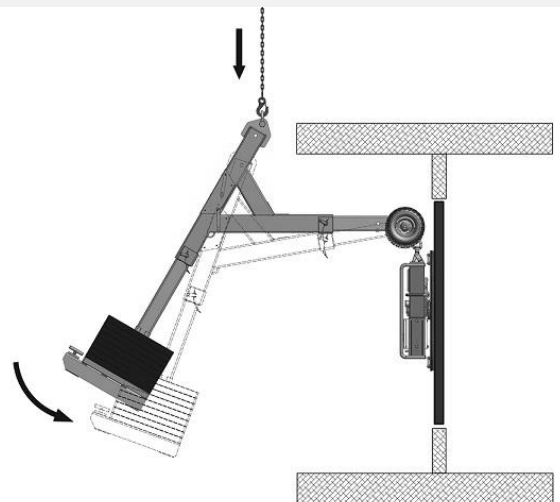
Technical details

Type	CBL-1000
Lifting capacity	1,000 kg
Own weight	1,000 kg

Complies with European standard EN 13155.



(...) = transport position



About VIAVAC

Company profile

VIAVAC is a Dutch manufacturer of vacuum lifters for the mounting of sandwich panels and glass elements. The VIAVAC vacuum lifters have been developed in-house. Started in 1995 and therefore already active for more than 25 years.

Rental, sales and service

Thanks to a large stock and good logistics, you can count on a quick delivery. In the unlikely event of a problem occurring during work, we will do everything in our power to help you as quickly as possible.

International network

Our vacuum lifting devices are used all over the world. We work with a large and growing international network of reliable distributors, resulting in VIAVAC users in more than 75 countries.

VIAVAC vacuum lifting BV

1^e Industrieweg 8
3411 MG Lopik
The Netherlands

+31 (0)348 449 660
info@viavac.com
www.viavac.com

