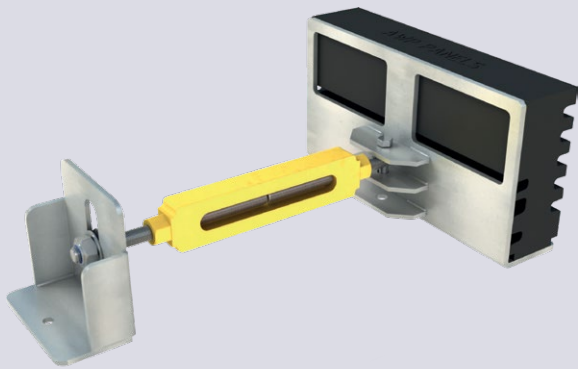


# Kingspan Vertical Wall Installation Clamp



## DESCRIPTION

Kingspan's panel clamp assembly is designed to help fit Kingspan vertical wall panels straight & true once the sealant and tape have been applied.

This makes sure your panel is fitted correctly, is weather-proof and more importantly, stands up to warranty.

## HOW TO USE

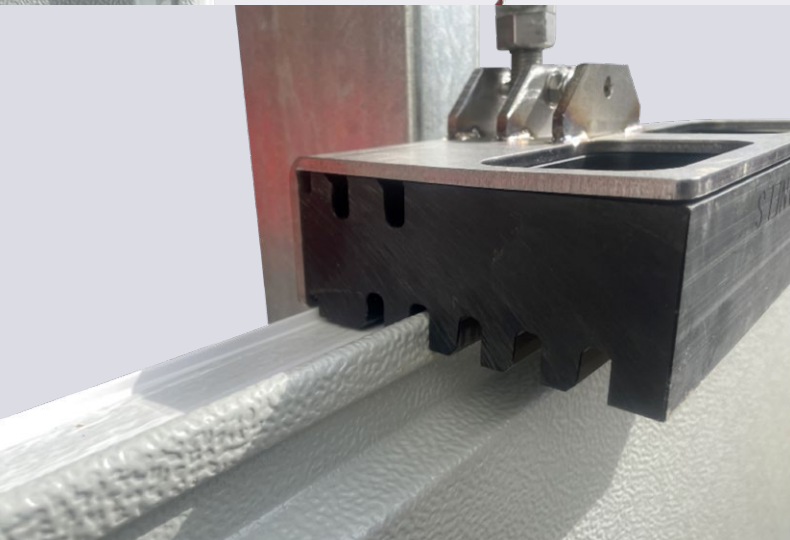
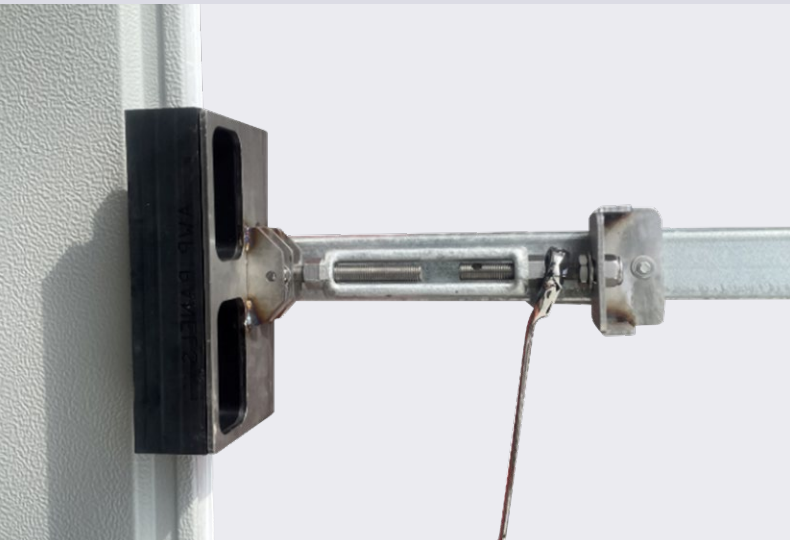
The clamp is very simple to use:

- 1 Locate two panel clamps at either end of your panel – one at the top, one at the bottom
- 2 You attach one end using a fastener to the rail
- 3 Locate the black nylon block into the female joint on the panel
- 4 Use the attached ratchet to move the panel in to place

## TYPES OF PANELS

Profile blocks currently available:

- Kingspan QuadCore AWP
- Kingspan QuadCore AWP Supreme
- Kingspan Coldstore
- Kingspan K-Roc Karrier/Evolution

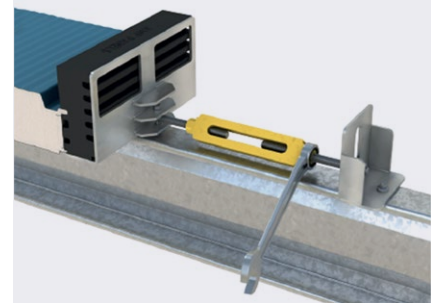
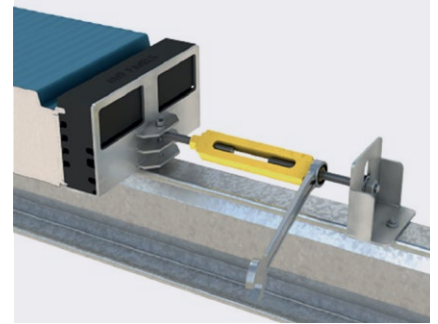
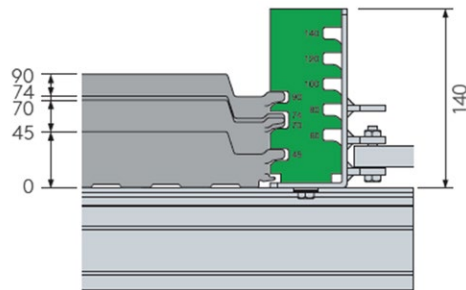
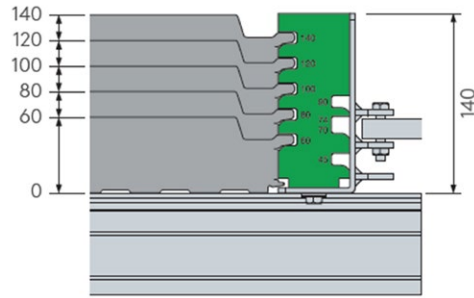


# Set-Up References

## KINGSPAN AWP WALL PANELS



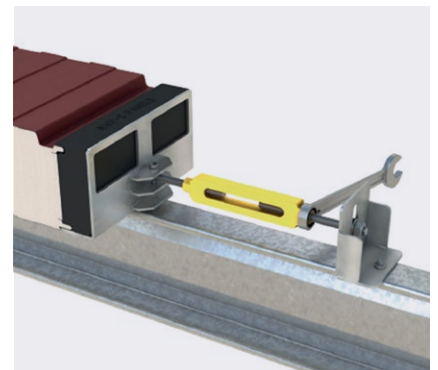
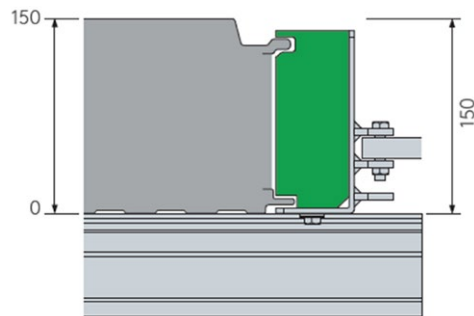
Position panel thickness above 100mm



## KINGSPAN AWP SUPREME WALL PANELS



Position panel thickness above 100mm

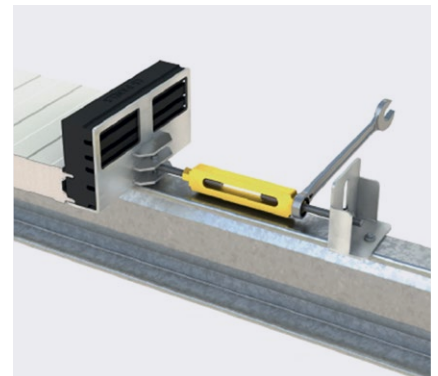
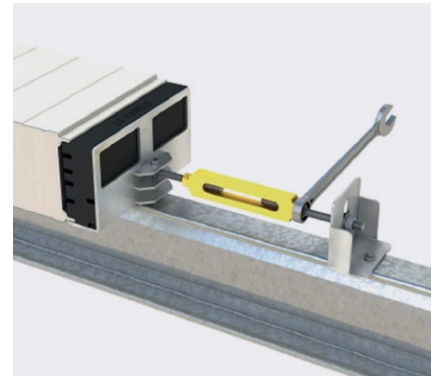
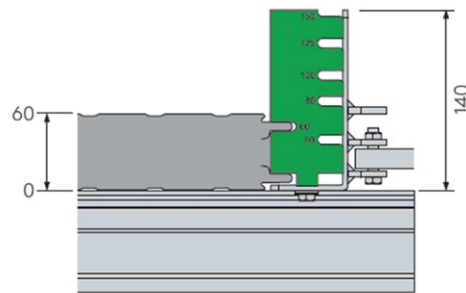
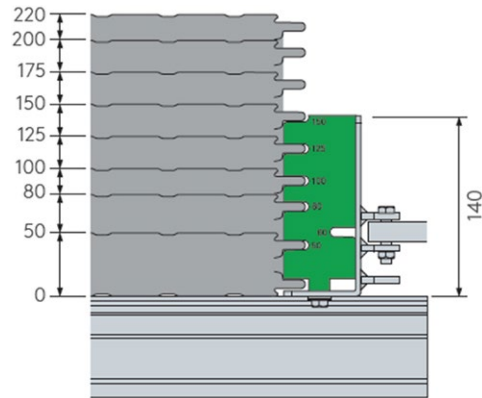


# Set-Up References

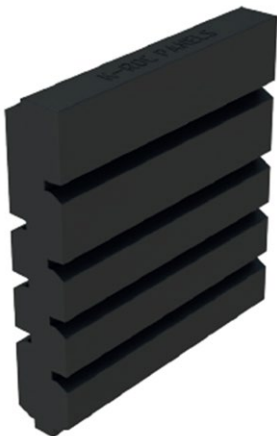
## KINGSPAN COLDSTORE WALL PANELS



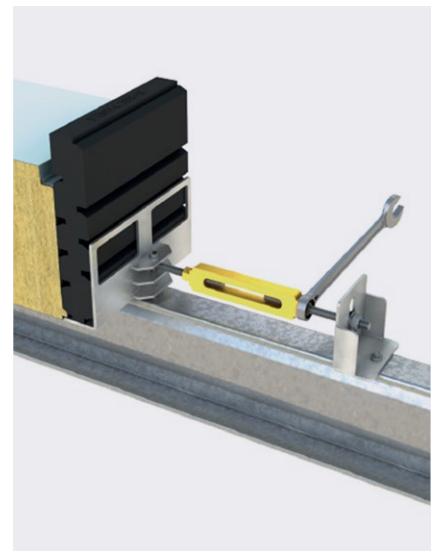
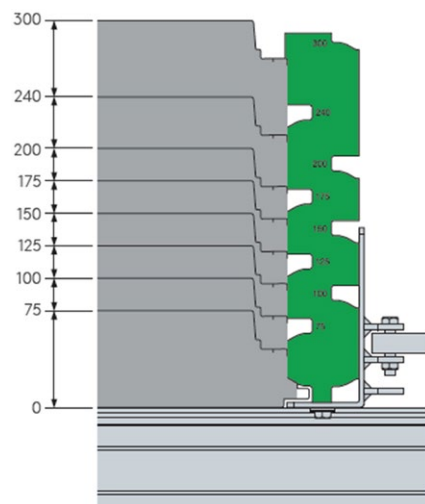
Position panel thickness above 100mm



## KINGSPAN K-ROC EVOLUTION WALL PANELS

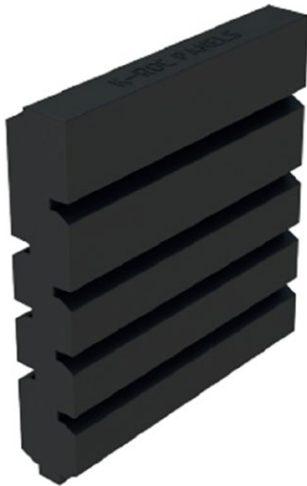


Position panel thickness above 100mm



# Set-Up References

## KINGSPAN K-ROC WALL PANELS



Position panel thickness above 100mm

